



aci CONCRETE
CONVENTION

THE WORLD'S GATHERING PLACE FOR ADVANCING CONCRETE

PROGRAM BOOK

MARCH 24-28, 2024

Hyatt Regency New Orleans, New Orleans, LA, USA

For more information, please visit [aciconvention.org](https://www.aciconvention.org).

Convention Sponsors

Sponsors are listed as of 2/21/2024

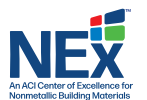
Cement (\$10,000)



Reinforcement (\$5,000)



Admixture (\$2,500)



Convention Sponsors cont.

Sponsors are listed as of 2/21/2024

Aggregate (\$1,000)



Water (\$500)

ACI Arkansas Chapter
 ACI Central Ohio Chapter
 ACI Eastern Pennsylvania & Delaware Chapter
 ACI Illinois Chapter
 ACI Intermountain Chapter

ACI Kansas Chapter
 ACI National Capital Chapter
 ACI Pittsburgh Area Chapter
 Concrete Testing Adherence Collaboration (CTAC)

Visit www.aciconvention.org for an updated list of sponsors and exhibiting sponsors.

Table of Contents

ACI New Orleans Chapter Convention Committee	2
ACI President's Welcome	2
ACI Sustaining Members.....	3
American Concrete Institute Board of Direction	2
Convention Sponsors	B
Daily Program	10
Exhibit Hall Floor Plan.....	9
Exhibiting Sponsors	8
General Information	4
Meeting Space Map	6
Numerical Committee Meeting Listing	14
Session PDH Tracker	22
Where's That Meeting Room?	7



**CONV
2024**

Download the
Convention App,
powered by Guidebook

Search "ACI Convention" on
 your Apple or Android device.

American Concrete Institute Board of Direction

President

Antonio Nanni

Vice Presidents

Michael Paul
Maria Juenger

Directors

Oscar Antommattei
Peter Barlow
Michael Brown
Anthony DeCarlo
John Gajda
Arturo Gaytan Covarrubias
Carol Hayek
Kamal Khayat
Robert Lewis
Anton Schindler
Matthew Sherman
Lawrence Sutter

Past Presidents Board Members

Cary Kopczynski
Jeffrey Coleman
Charles Nmai

Executive Vice President

Fred Grubbe

ACI President's Welcome

ACI Members and Guests:



On behalf of myself and ACI, it is a pleasure to welcome you to New Orleans, LA, USA, and the ACI Concrete Convention.

The ACI Concrete Convention provides the industry with a professional environment where individuals from across the globe come together to share new ideas and discover innovative ways to use concrete. The ACI Concrete Convention offers educational opportunities for personal growth, committee opportunities for technical advancement, and networking opportunities for professional enrichment. The opportunities are numerous, with over 350 committee meetings; 35+ technical sessions; an exciting student competition; and numerous networking events, culminating with the Concrete Mixer on Tuesday night. In addition, the industry exposition showcases the products and services of more than 50 companies from around the world! I urge you to make the most of your time here and attend these events.

Please join me in thanking our outstanding sponsors and exhibitors. None of this would be possible without them. Anyone who is wearing a Convention sponsor or exhibitor ribbon has played an integral role in the success of this Convention. Please be sure to thank them while at the Convention and stop by their booths to see the newest products and services on the market today.

I am honored and excited to share this week with you, and I hope you enjoy all that New Orleans has to offer. Thank you for attending the Convention and for your continued involvement in ACI.

Kind regards,

Antonio Nanni
ACI President

ACI Louisiana Chapter Convention Committee

Convention Committee Co-Chairs

Rebecca Chopin and Yelena Rivera

Finance/Treasurer

Tyler Baggett, Chair
Yelena Rivera

Secretary

Rebecca Chopin, Chair

Publicity

Jerry Outlaw, Chair
Yelena Rivera

Guest Program

Tyler Baggett, Chair
Ben Bartlett
Norma Jean Mattei
Chaz McGee
Hannah Rubiano
Bill Rushing
Lizzy Stark
Alexander Vu

Student/Volunteer

Renee Poole, Chair
Chaz McGee
Hannah Rubiano
Lizzy Stark
Alexander Vu

Technical

Yelena Rivera, Chair
Ben Bartlett
Norma Jean Mattei
Bill Rushing

ACI Sustaining Members

Sponsors are listed as of 2/21/2024

 AM Concrete Inc.
 American Engineering Testing, Inc.
 American Society of Concrete Contractors
 Ash Grove Cement Company
 B&B Concrete of Kansas, LLC
 Baker Concrete Construction, Inc.
 Bauman Landscape & Construction, Inc.
 Bentley Systems, Inc.
 Cantera Concrete Company
 Capital Concrete, LLC

 Ceco Concrete Construction, LLC
 Concreserv Concreto S/A
 Concrete Reinforcing Steel Institute
 Concrete Sealants, Inc.
 Concrete Strategies LLC
 CTLGroup
 Dayton Superior Corporation
 Doka USA, Ltd.
 The Euclid Chemical Company
 GCP Applied Technologies Inc.
 GFT Ready Mix

 Hawkins Construction and Flat Work, LLC
 Heidelberg Materials
 Husqvarna
 Keystone Structural Concrete, LLC
 Lampasona Concrete LLC
 Master Builders Solutions US, LLC
 Metromont Corporation
 Municipal Testing Group
 North S.Tarr Concrete Consulting, P.C.
 Oztec Industries, Inc.
 Penetron International Ltd.
 Phoenix Industrial

 Prefabricados de Concreto Solana
 The Quikrete Companies
 R and S Cement
 Seretta Construction, Inc.
 Sika Corporation
 Specialty Products Group, Inc.
 STRUCTURAL
 Structural Services, Inc.
 Tekna Chem SpA
 Vector Corrosion Technologies
 W. R. Mmeadows, Inc.

General Information

For detailed program information and program changes, download the Convention app.

ACI Event Platform & Mobile App

ACI is using Guidebook, a mobile app and event platform, for the ACI Concrete Convention. Attendees can access on-demand content, create a personal schedule, get the latest program information, and more. You must be a registered Convention attendee to access the Guidebook platform.

Schedule Changes

Cancellations, additions, and location changes to the Convention schedule will be posted daily in the Convention app.

Exhibit Hall Refreshments—Elite Hall

Beverages are available courtesy of ACI during the following hours:

Saturday	Soda	2:00 pm – 6:00 pm
Sunday – Tuesday	Soda	1:00 pm – 4:00 pm
Sunday – Wednesday	Coffee	7:00 am – 10:00 am

ACI Resource Area

Looking to learn more about ACI's resources? Visit the ACI Resource Area in the exhibit hall and learn more about ACI Certification programs, ACI Excellence in Concrete Construction Awards, and the ACI Foundation.

ACI Resource Centers provide on-demand regional access to all ACI offerings for inspectors, contractors, designers, technicians, product mfrs. and engineers. With locations in Southern California, Chicago/Midwest and Mid-Atlantic region, we are bringing ACI to you. Offering training for new-hire onboarding and more, access to all ACI Certification programs, and education programs on popular industry topics, ACI Resource Centers can prepare you for success.

ACI Excellence in Concrete Construction Awards

Learn more about the ACI Excellence in Concrete Construction Awards, which take place during every fall Convention, and how to co-brand your organization or nominate your project.

ACI Foundation

The ACI Foundation is a 501(c)(3) nonprofit organization (wholly owned by ACI) that supports a wide range of research and educational initiatives that contribute to keeping the concrete industry at the forefront of technological advances in material composition, design, and construction. We engage with industry partners, invest in students and research, share knowledge, and provide programs to encourage innovation and new technology. Learn more at the ACI Foundation booth, located in the ACI Resource Area.

ACI Cyber Café and Meeting Spot—Elite Hall

Stop by the ACI Cyber Café and Meeting Spot—the perfect place to stay connected with work and family or network with ACI attendees during refreshment breaks. Use the computers to browse the web, print on-demand, or catch up on email.

Saturday	2:00 pm – 6:00 pm
Sunday – Tuesday	8:00 am – 5:00 pm
Wednesday	8:00 am – 12:00 pm

ACI Lunch Concessions—Elite Hall

Sunday – Tuesday	11:00 am – 2:00 pm
------------------	--------------------

Looking for Exercise?

Meet up with other ACI attendees in the **Hyatt Regency New Orleans** lobby before heading out for your morning run or walk. Local area maps are available at the hotel concierge desk. All are welcome.

Sunday – Wednesday	5:00 am and 6:00 am
--------------------	---------------------

Session Handouts On-Demand

Handouts are available from speakers who have elected to provide and post them on the ACI website. Stop by the Cyber Café or go to www.aciconvention.org/handouts to download or print a copy of the handouts for the sessions you plan to attend. If you do not find a handout for a particular session, please contact the speaker for more information.

Hyatt Regency New Orleans

Starbucks

Hours: Monday – Friday, 6:00 am – 5:00 pm; Saturday and Sunday, 6:00 am – 3:00 pm.

8 Block Kitchen & Bar

Hours: Breakfast buffet: Monday – Friday, 7:00 am – 10:00 am; Saturday and Sunday, 7:00 am – 12:00 pm.
Lunch buffet: Monday – Friday, 11:30 am – 2:00 pm.
Bar: Monday – Thursday, 4:00 pm – 12:00 am; Friday and Saturday, 4:00 pm – 1:00 am; Sunday, 4:00 pm – 12:00 am.

Vitascope Hall

Hours: Monday – Thursday, 11:30 am – 10:00 pm; Friday and Saturday, 11:30 am – 12:00 am; Sunday, 11:30 am – 10:00 pm.

Lagniappe Exchange

Hours: Monday – Sunday, 7:00 am – 10:00 pm.

Please visit <https://www.hyatt.com/hyatt-regency/en-US/msyrrn-hyatt-regency-new-orleans/dining> to view additional restaurant information.

Suitcasing

Attendees or sponsors found to be “suitcasing” (soliciting business in session and committee meeting rooms, aisles, or the booth of another exhibitor) will be asked by staff to cease this practice. Should this continue, they will be asked to leave the show floor immediately and will forfeit any sponsor points earned for that show.

Anti-Harassment Policy

It is the policy of the American Concrete Institute (ACI) that all participants in ACI and its subsidiaries' activities and events will enjoy an environment free from all forms of harassment and retaliation. Harassment, sexual or otherwise, is a form of misconduct that undermines the integrity of ACI activities and events, and violators of this policy will be subject to discipline. To view ACI's Anti-Harassment Policy in its entirety, please visit www.concrete.org/events/policy.aspx.

General Information

For detailed program information and program changes, download the Convention app.

Continuing Education

ACI is a continuing education provider for the American Institute of Architects (AIA) and the International Code Council (ICC). All sessions approved by AIA or ICC are noted with AIA and ICC logos and the number of hours.

Earn CEUs/PDHs for Session Attendance

Attend the entire duration of a live session and record the codes given out during the session using the spaces provided at the end of the Program Book (Session PDH Tracker). In most cases, one contact hour is equal to one Professional Development Hour (PDH). Check with your state Board for acceptance criteria. **Please note: ACI does not track and cannot provide documentation confirming attendee participation or attendance at any ACI session held during the Convention. On-demand recordings of sessions are not eligible for Continuing Education Units (CEUs).**

For attendance certificates:

1. Visit www.concrete.org and sign in.
2. Hover over **My ACI** and click on **My ACI CEU/PDH**.
3. Select the convention, day, and title of the session for which you are submitting session codes.
4. After successfully submitting the session codes, your certificate will be available under the session title.

Speaker Ready Room—Strand 9

The Speaker Ready Room is available to moderators, speakers, and committee Chairs during the following hours:

Saturday	2:00 pm – 6:00 pm
Sunday – Tuesday	7:00 am – 6:00 pm
Wednesday	7:00 am – 11:00 am

All speakers are requested to check in at the Speaker Ready Room 1 day prior to their session to ensure that their presentations have been uploaded and work properly on the ACI computers.

Please note: Speakers participating in a Mini Session cannot check their presentation into the Speaker Ready Room—they must bring their presentation with them to the Mini Session.

Guest-Only Events

Please note that the guest events below are for registered guests only. To be a registered guest, a guest registration must accompany an attendee registration. Please note, there is no longer a Guest Social.

Guest Hospitality—Vitascope Hall

Sunday – Wednesday, 7:00 am – 10:00 am
Coffee, tea, and breakfast items will be available for guests each morning (Sunday – Wednesday). You must be a registered guest to attend.

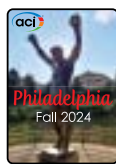
Guest Lounge—Imperial 1

Sunday – Wednesday, 10:00 am – 4:00 pm
Stop by the Guest Lounge to relax and meet other ACI guests. Guests can enjoy the Guest Lounge Sunday through Wednesday.

Guest Overview—Vitascope Hall

Sunday, March 24, 2024
8:00 am – 9:00 am
Acquaint yourself with the week ahead in New Orleans. Learn about the exciting things to do in and around the city.

ACI Concrete Convention



Fall 2024 | Philadelphia, PA, USA

Mark your calendars for the ACI Concrete Convention in Philadelphia, PA, USA, November 3-6, 2024, at the Philadelphia Marriott Downtown.

Social Media

Stay up-to-date with all things ACI by following us on social media.



FUTURE ACI CONVENTIONS

FALL 2024

Philadelphia, PA, USA | November 3-6, 2024

SPRING 2025

Toronto, Ontario, Canada | March 30-April 2, 2025

FALL 2025

Baltimore, MD, USA | October 26-29, 2025

For a complete listing of all future conventions, visit www.aciconvention.org.



Where's That Meeting Room?

Hyatt Regency New Orleans		
Room Name	Location	
Elite Hall (Exhibit Hall/Registration)	Level 1	
Empire A		
Empire B		
Empire C		
Empire D		
Bolden 1		
Bolden 2		
Bolden 3		
Bolden 4		
Bolden 5		
Bolden 6		
Strand 1		
Strand 2		
Strand 3		
Strand 4		
Strand 5		
Strand 6		
Strand 7		
Strand 8		
Strand 9 (Speaker Ready Room)		
Strand 10A		
Strand 10B		
Strand 11A		
Strand 11B		
Strand 12A		
Strand 12B		
Strand 13A		
Strand 13B		
Strand 14		
Celestin A	Level 2	
Celestin B		
Celestin C		
Celestin D		
Celestin E		
Celestin F		
Celestin G&H		
Imperial 1 (Guest Lounge)		
Imperial 2	Level 3	
Imperial 3		
Imperial 4		
Imperial 5A		
Imperial 5B		
Imperial 5C		
Imperial 5D		
Imperial 9		
Imperial 11		
Imperial 12		
		Level 4

Exhibiting Sponsors

ACI would like to thank all exhibiting sponsors for their participation in and support of the ACI Concrete Convention. To learn more about each of these exhibitors, stop by their booth or visit the convention app.

Exhibit Hours—Elite Hall

Sunday – Tuesday 8:00 am – 5:00 pm

Arcosa Lightweight www.arcosalightweight.com	304	Jordahl USA Inc. www.jordahlusa.com	109
Baker Concrete Construction, Inc. www.bakerconcrete.com	100 & 101	Mapei Corporation www.mapei.com/us/en-us/home-page	402
Buzzi Unicem USA www.buzziunicemusa.com	108	Master Builders Solutions www.master-builders-solutions.com	103
Carbon Limit Co. www.carbonlimit.com	504	NEU: An ACI Center of Excellence for Caron-Neutral Concrete www.neuconcrete.org	302
Cervenka Consulting www.cervenka.cz	500	NEx: An ACI Center of Excellence for Nonmetallic Building Materials www.nonmetallic.org	307
Chimica Edile USA www.ceusa.cc	403	Nitto Construction www.concretetester.com	201
CMEC, Inc. www.CMEC.org	115	PRO An ACI Center of Excellence or Advancing Productivity www.concreteproductivity.org	506
Concrete Sealants, Inc. www.conseal.com	300	Prometheus Materials www.prometheusmaterials.com	601
CONTROLS INC. www.controls-group.com	114	PS=0 https://www.hrc-usa.com/	309
Cortec Corporation www.cortecvci.com	600	QuakeWrap, Inc. www.QuakeWrap.com	401
Deslauriers, Inc. www.deslinc.com	305	Ritek, Inc. - Chemical Admixtures www.riteks.com/construction-chemicals	110
Euclid Chemical www.euclidchemical.com	102	Screening Eagle USA, Inc. www.screeningeagle.com	104
Fiber Reinforced Concrete Association Middle Tennessee State University www.fiberreinforcedconcrete.org	106	Silica Fume Association www.silicafume.org	501
FullForce Solutions https://fullforcesolutions.us/	200	Slag Cement Association www.slagcement.org	303
Geophysical Survey Systems, Inc. (GSSI) www.geophysical.com	113	Splice Sleeve North America, Inc. www.splicesleeve.com	400
Germann Instruments, Inc. www.germanninstruments.com	112	Structural Technologies www.structuraltechnologies.com	308
Headed Reinforcement Corp. (HRC) www.hrc-usa.com	105	TOKUSEN U.S.A. Inc. www.tokusenusa.com	301
Heidelberg Materials www.heidelbergmaterials.us	404	Vector Corrosion Technologies, Inc. www.vector-corrosion.com	111
Humboldt Mfg Co. www.humboldtmgf.com	107		

Exhibiting Sponsors are listed as of 2/21/2024

Exhibit Hall Floor Plan

Elite Hall | Level 1

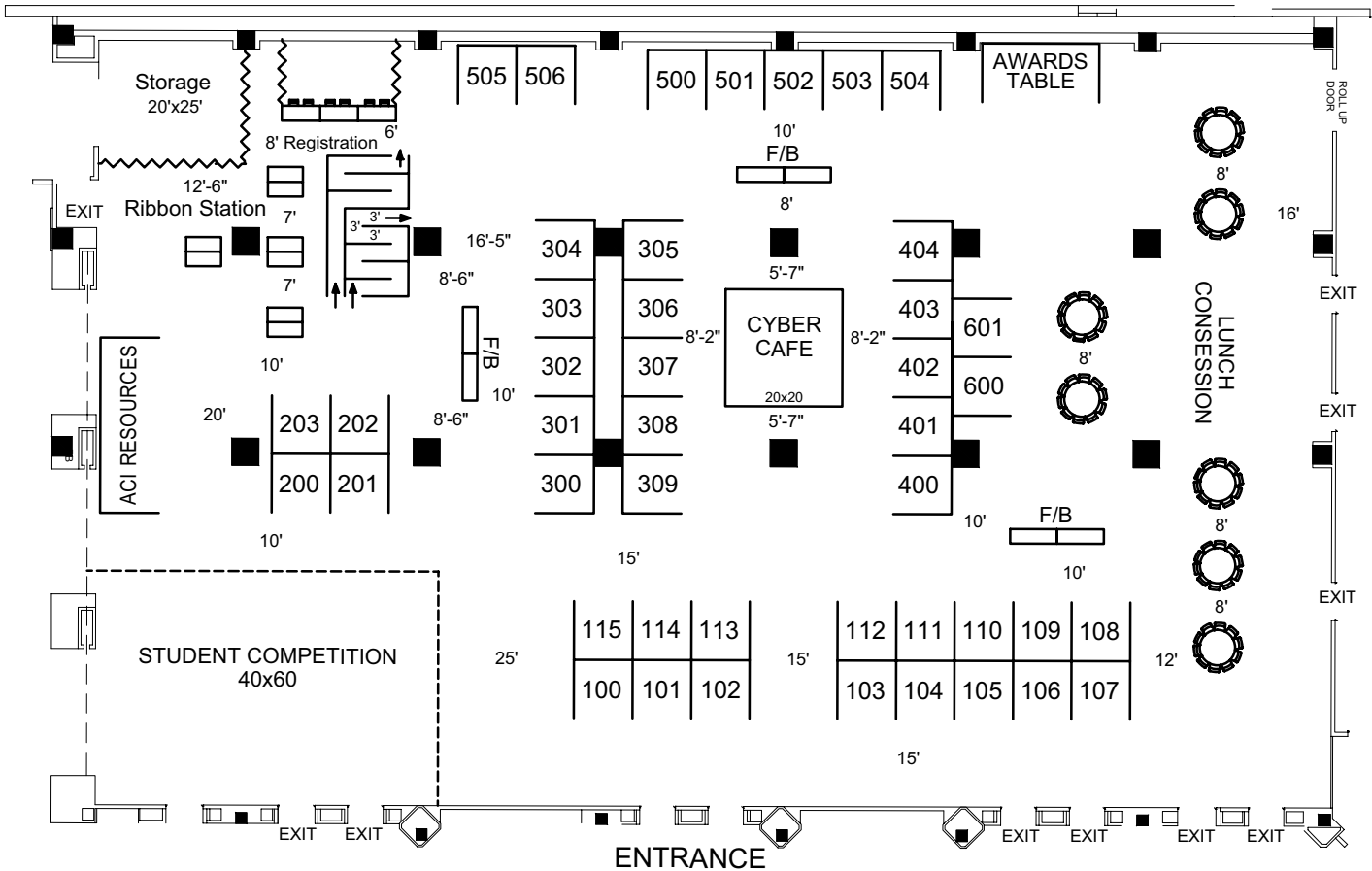


Exhibit Hall Floor Plan

Virtual Sponsor Demonstrations

Learn about the products and services offered by our exhibiting sponsors during the virtual sponsor demonstrations.

To view the schedule, please visit the convention app.

Daily Program

For detailed program information and program changes, download the convention app.
 ✓ = Separate fee required ★ = Guest-only event

Saturday, March 23, 2024

7:30 am – 6:00 pm	
ACI Registration	Elite Hall
8:00 am – 9:00 pm	
Committee Meetings	See numeric or convention app for detailed list
8:00 am – 10:00 am	
FRP Bond and Anchorage in Concrete Structures, FRPRCS-16 Symposium, Part 1 of 14	Strand 12B
Strengthening of Concrete Structures Using FRP Systems, FRPRCS-16 Symposium, Part 2 of 14	Strand 13B
8:00 am – 5:00 pm	
✓13th International Workshop on Structural Concrete	Strand 10A
8:30 am – 10:00 am—Session	
✓13th International Workshop Session: Sustainability	Strand 10A
9:00 am – 5:00 pm	
Chapter Officer Roundtable (Closed Meeting)	Bolden 5
10:15 am – 11:45 am—Session	
✓13th International Workshop Session: Katrina Infrastructure Rebuild	Strand 10A
10:30 am – 12:30 pm	
FRP Materials: Properties, Tests and Standards, FRPRCS-16 Symposium, Part 3 of 14	Strand 12B
Emerging FRP Systems and Successful Project Applications, FRPRCS-16 Symposium, Part 4 of 14	Strand 13B
12:00 pm – 1:00 pm	
Chapter Officer Roundtable Lunch (Closed Lunch)	Strand 10B
12:00 pm – 1:30 pm	
✓International Workshop Lunch	Empire D
1:00 pm – 3:00 pm	
FRP-Reinforced Concrete Structures, FRPRCS-16 Symposium, Part 5 of 14	Strand 12B
FRP Design Codes and Guidelines, FRPRCS-16 Symposium, Part 6 of 14	Strand 13B
1:45 pm – 3:15 pm—Session	
✓13th International Workshop Session: International Projects	Strand 10A
2:00 pm – 6:00 pm	
ACI Cyber Café & Meeting Spot	Elite Hall
Afternoon Soda Break	Elite Hall
Speaker Ready Room	Strand 9

3:30 pm – 5:00 pm—Session	
✓13th International Workshop Session: Status of the ACI 318-25 Building Code Requirements for Structural Concrete	Strand 10A

3:30 pm – 5:30 pm	
Advances in FRP Applications in Masonry Structures, FRPRCS-16 Symposium, Part 7 of 14	Strand 12B
Seismic Resistance of FRP-Reinforced/Strengthened Concrete Structures, FRPRCS-16 Symposium, Part 8 of 14	Strand 13B

5:30 pm – 7:00 pm	
✓International Workshop Reception and Young Practicing Engineers Poster Session	Empire D

6:30 pm – 8:30 pm	
✓FRPRCS-16 Symposium Reception & Poster Session	Imperial 5

Sunday, March 24, 2024

5:00 am and 6:00 am	
Run/Walk Meet-Up	Depart Hyatt Regency New Orleans Lobby

7:00 am – 10:00 am	
★Guest Hospitality	Vitascope Restaurant
Coffee Break	Elite Hall

7:00 am – 5:45 pm	
Committee Meetings	See numeric or convention app for detailed list

7:00 am – 6:00 pm	
Speaker Ready Room	Strand 9

7:30 am – 5:00 pm	
ACI Registration	Elite Hall
ACI Cyber Café & Meeting Spot	Elite Hall

8:00 am – 9:00 am	
Convention Orientation Breakfast	Celestin G&H
★Guest Overview	Vitascope Restaurant

8:00 am – 10:00 am—Sessions	
Structural Performance of Additively Constructed Concrete, Part 1 of 2	Strand 11B

FRP Bond and Anchorage in Concrete Structures, FRPRCS-16 Symposium, Part 9 of 14	Strand 12B
Behavior and Design of Prestressed Concrete Structures, FRPRCS-16 Symposium, Part 10 of 14	Strand 13B

8:00 am – 5:00 pm	
Exhibit Hall	Elite Hall

8:30 am – 3:30 pm	
Mortar Workability Competition	Elite Hall

9:00 am – 11:00 am—Session	
ACI International Forum	Bolden 5

Daily Program

For detailed program information and program changes, download the convention app.
 ✓ = Separate fee required ★ = Guest-only event

10:00 am – 4:00 pm	
★Guest Lounge	Imperial 1
10:30 am – 12:30 pm—Sessions	
Sustainable Building Solutions with UHPC – Case Studies	Strand 10A
Structural Performance of Additively Constructed Concrete, Part 2 of 2	Strand 11B
FRP Use in Column Applications, FRPRCS-16 Symposium, Part 11 of 14	Strand 12B
Effects of Extreme Events on FRP Reinforced/Strengthened Structures, FRPRCS-16 Symposium, Part 12 of 14	Strand 13B
11:00 am – 2:00 pm	
ACI Lunch Concessions	Elite Hall
11:30 am – 1:30 pm	
✓International Lunch	Celestin G&H
1:00 pm – 2:00 pm—Mini Session	
Current and Emerging Applications of Plain Concrete	Celestin E
1:00 pm – 3:00 pm—Sessions	
Durability of FRP Systems, FRPRCS-16 Symposium, Part 13 of 14	Strand 12B
Advanced Analysis of FRP Reinforced Concrete Structures, FRPRCS-16 Symposium, Part 14 of 14	Strand 13B
1:00 pm – 4:00 pm	
Afternoon Soda Break	Elite Hall
1:30 pm – 3:30 pm—Session	
International Session	Strand 10A
3:30 pm – 5:30 pm—Sessions	
Fiber-Reinforced Concrete and Ultra-High-Performance Concrete for Durable Structures – Case Studies	Strand 10A
Design and Construction of Resilient and Durable Concrete Pavements Subjected to Extreme Conditions	Strand 11B
Natural Carbonation of Concrete as a Means to Achieve Carbon Neutrality: Is It a Big Deal?	Strand 12B
4:00 pm – 5:00 pm	
ACI Student Forum	Celestin G&H
5:45 pm – 7:00 pm	
Opening Session	Empire AB
7:00 pm – 8:00 pm	
Opening Reception	Elite Hall
8:00 pm – 10:00 pm—Session	
Hot Topic Session: Portland Limestone Cement (1L Cement) – Reducing CO ₂ Emissions	Strand 10A

8:30 pm – 10:00 pm	
Student and Young Professional Networking Event	8 Block Restaurant
Monday, March 25, 2024	
5:00 am and 6:00 am	
Run/Walk Meet-Up	Depart Hyatt Regency New Orleans Lobby
6:30 am – 8:00 am	
Workshop for Technical Committee Chairs (<i>by invitation only</i>)	Empire B
7:00 am – 8:30 am	
Professional Development Breakfast	Celestin C
7:00 am – 10:00 am	
★Guest Hospitality	Vitascope Restaurant
Coffee Break	Elite Hall
7:00 am – 6:00 pm	
Speaker Ready Room	Strand 9
7:00 am – 7:00 pm	
Committee Meetings	See numeric or convention app for detailed list
7:30 am – 9:00 am	
Chapter Officer Business & Breakfast (Closed Event)	Empire C
7:30 am – 5:00 pm	
ACI Registration	Elite Hall
ACI Cyber Café & Meeting Spot	Elite Hall
8:00 am – 8:30 am	
Coffee at Meeting Spot for first-time attendees	Elite Hall
8:00 am – 5:00 pm	
Exhibit Hall	Elite Hall
8:30 am – 10:00 am – Session	
Honoring the Legacy of Ken C. Hover, Part 1 of 4	Strand 13B
8:30 am – 10:30 am—Sessions	
Undergraduate Research Session	Strand 10A
Research in Progress, Part 1 of 2	Strand 11B
9:00 am – 10:00 am—Mini Session	
Simplified Concrete Design for Buildings up to Five Stories High	Empire A
10:00 am – 4:00 pm	
★Guest Lounge	Imperial 1
10:30 am – 11:30 am	
Student Awards Program	Empire B
10:30 am – 12:00 pm—Session	
Honoring the Legacy of Ken C. Hover, Part 2 of 4	Strand 13B

Daily Program

For detailed program information and program changes, download the convention app.
 ✓= Separate fee required ★ = Guest-only event

11:00 am – 1:00 pm—Sessions	
Sustainability and Workability: The First Hour Affects the Next Century	Strand 10A
Research in Progress, Part 2 of 2	Strand 11B
11:00 am – 2:00 pm	
ACI Lunch Concessions	Elite Hall
12:30 pm – 1:30 pm—Mini Session	
Behavior and Design of Dapped Tee Ends	Strand 10B
1:00 pm – 2:30 pm—Session	
Honoring the Legacy of Ken C. Hover, Part 3 of 4	Strand 13B
1:00 pm – 4:00 pm	
Afternoon Soda Break	Elite Hall
1:30 pm – 2:00 pm	
Sodas at Meeting Spot for first-time attendees	Elite Hall
1:30 pm – 3:30 pm—Sessions	
Best Practices for Incorporating Research into Concrete Education	Strand 10A
Who is Responsible When Sustainable Concrete Does Not Meet Performance Expectations? Part 1 of 2	Strand 11B
Challenges in ML/AI for the Concrete Industry, Part 1 of 2	Strand 12B
3:00 pm – 5:00 pm – Session	
Honoring the Legacy of Ken C. Hover, Part 4 of 4	Strand 13B
4:00 pm – 6:00 pm—Sessions	
The Evolution of Mass Concrete	Strand 10A
Who is Responsible When Sustainable Concrete Does Not Meet Performance Expectations? Part 2 of 2	Strand 11B
Challenges in ML/AI for the Concrete Industry, Part 2 of 2	Strand 12B
5:00 pm – 6:30 pm	
Women in ACI Reception	8 Block Restaurant
5:30 pm – 7:00 pm	
✓ Retirement Celebration in Honor of Ken C. Hover	Empire B
6:30 pm – 8:30 pm—Session	
123 Forum: Should 3D Printing be Codified?	Strand 10A
Tuesday, March 26, 2024	
5:00 am and 6:00 am	
Run/Walk Meet-Up	Depart Hyatt Regency New Orleans Lobby
7:00 am – 10:00 am	
★ Guest Hospitality	Vitascope Restaurant
Coffee Break	Elite Hall

7:00 am – 6:00 pm	
Speaker Ready Room	Strand 9
Committee Meetings	See numeric or convention app for detailed list
7:30 am – 5:00 pm	
ACI Registration	Elite Hall
ACI Cyber Café & Meeting Spot	Elite Hall
8:00 am – 8:30 am	
Coffee at Meeting Spot for first-time attendees	Elite Hall
8:00 am – 5:00 pm	
Exhibit Hall	Elite Hall
8:30 am – 9:30 am—Mini Session	
Construction Techniques Using Insulating Concrete Forms	Empire D
8:30 am – 10:30 am—Sessions	
Concrete Sustainability Day, Part 1 of 2: Concrete Performance Improvement as a Means of Reducing the Life-Cycle Carbon Footprint of Built Environment	Strand 10A
Application of Nanoparticles in 3-D Printed Concrete, Part 1 of 2	Strand 11B
Fiber Orientation in Ultra-High-Performance Concrete: Quantification, Characterization, and Implications for Design and Performance, Part 1 of 2	Strand 12B
Early-Age Creep, Shrinkage, and Cracking	Strand 13B
10:00 am – 4:00 pm	
★ Guest Lounge	Imperial 1
11:00 am – 12:00 pm—Mini Session	
Impact of Aggregates Usage on Concrete Performance	Strand 1
11:00 am – 1:00 pm—Sessions	
What I Want New Engineers to Know About Constructability	Strand 10A
Application of Nanoparticles in 3-D Printed Concrete, Part 2 of 2	Strand 11B
Fiber Orientation in Ultra-High-Performance Concrete: Quantification, Characterization, and Implications for Design and Performance, Part 2 of 2	Strand 12B
Honoring Michael M. Sprinkel – A Career of Concrete Preservation, Part 1 of 2	Strand 13B
11:00 am – 2:00 pm	
ACI Lunch Concessions	Elite Hall
11:30 am – 1:30 pm	
✓ Concrete Sustainability Day Lunch	Celestin G&H
1:00 pm – 2:00 pm—Mini Session	
Seismic Research Presentations by Younger Members	Empire C

Daily Program

For detailed program information and program changes, download the convention app.
 ✓ = Separate fee required ★ = Guest-only event

1:00 pm – 4:00 pm	
Afternoon Soda Break	Elite Hall
1:30 pm – 2:00 pm	
Sodas at Meeting Spot for first-time attendees	Elite Hall
1:30 pm – 3:30 pm—Sessions	
Concrete Sustainability Day, Part 2 of 2: Building a Sustainable and Resilient Concrete Future: What's Next	Strand 10A
Open Topic Session, Part 1 of 2	Strand 11B
From the Lab to the Field – Experiences with Portland Limestone Cement, Part 1 of 2	Strand 12B
Honoring Michael M. Sprinkel – A Career of Concrete Preservation, Part 2 of 2	Strand 13B
2:00 pm – 3:00 pm—Mini Sessions	
Elemental Mapping Techniques for Measuring Distribution of Chloride and Other Species in Concrete	Empire D
This is Silica Fume	Imperial 11
3:00 pm – 4:00 pm—Mini Session	
Constructability in Coastal Locations	Celestin E
4:00 pm – 6:00 pm—Sessions	
Comprehensive Essential Ingredients for Robust Data- and Machine Learning-Driven Innovations and Analyses of RC Structures	Strand 10A
Open Topic Session, Part 2 of 2	Strand 11B
From the Lab to the Field – Experiences with Portland Limestone Cement, Part 2 of 2	Strand 12B
5:00 pm – 6:00 pm	
Faculty Network Reception	Celestin A
6:30 pm – 8:00 pm	
Concrete Mixer	Empire AB
Wednesday, March 27, 2024	
5:00 am and 6:00 am	
Run/Walk Meet-Up	Depart Hyatt Regency New Orleans
7:00 am – 10:00 am	
★ Guest Hospitality	Vitascope Restaurant
Coffee Break	Elite Hall
7:00 am – 11:00 am	
Speaker Ready Room	Strand 9
8:00 am – 11:00 am	
ACI Registration	Elite Hall
8:00 am – 2:00 pm	
ACI Cyber Café & Meeting Spot	Elite Hall

8:00 am – 6:00 pm	
Committee Meetings	See numeric or convention app for detailed list
8:00 am – 9:00 am—Mini Session	
Presentation of Comparative Full-Scale Field Trials of Multiple Same-Source Type I/II and Type IL Cement Concretes	Celestin G&H
8:30 am – 10:30 am—Sessions	
Slag Cement in Sustainable Concrete Awards	Strand 10A
A Look at Low-Carbon Cement and Concrete in the Construction Industry	Strand 11B
9:00 am – 10:00 am—Mini Session	
Navigating Early-Age Cracking in Environments with High Thermal Swings	Celestin G&H
10:00 am – 4:00 pm	
★ Guest Lounge	Imperial 1
1:00 pm – 5:00 pm	
Board of Direction	Empire C
6:25 pm – 8:00 pm	
President's Reception	Celestin G&H
6:25 pm – 6:30 pm—Doors Open	
6:30 pm – 6:45 pm—Awards Presentation	
6:45 pm – 8:00 pm—Reception/Food/Drinks	



JOIN A COMMITTEE!

ACI Committees are recognized for providing widely accepted standards of practice for nearly every facet of the concrete industry thanks to the participation of professionals across the concrete industry.

ACI's committees are classified as follows:

100s – General

200s – Materials and Properties of Concrete

300s – Design and Construction

400s – Concrete Reinforcement and Structural Analysis

500s – Specialized Applications and Repair

C – Certification Committees

E – Education Committees

S – Student and Young Professional Committees

Help shape the codes and standards of the concrete industry and join a committee!

If you are interested in joining a committee, visit www.concrete.org/committees/joinacommittee and fill out the online application.



American Concrete Institute
Always advancing



www.concrete.org

Numerical Committee Meeting Listing

For detailed program information and program changes, download the Convention App.

Code	Committee	Day	Time	Room Name
ACIFdn	ACI Foundation Board of Trustees	Wed	8:00 am - 10:30 am	Bolden 2
BOD	Board of Direction	Wed	1:00 pm - 5:00 pm	Empire C
C601-E	Concrete Construction Sustainability Assessor	Tue	7:30 am - 8:30 am	Imperial 5C
C610	Field Technician Certification	Mon	8:00 am - 10:00 am	Celestin F
C620	Laboratory Technician Certification	Tue	8:30 am - 10:00 am	Celestin B
C621	Cement Tester Certification	Tue	10:30 am - 12:00 pm	Imperial 4
C630	Construction Inspector Certification	Mon	1:00 pm - 2:30 pm	Strand 13A
C631	Concrete Transportation Construction Inspector Certification	Tue	10:00 am - 11:30 am	Imperial 5A
C640	Craftsman Certification	Sun	12:00 pm - 2:00 pm	Strand 12A
C650	Tilt-Up Constructor Certification	Sun	4:00 pm - 5:30 pm	Celestin C
C660	Shotcrete Nozzleman Certification	Sun	8:30 am - 9:30 am	Bolden 3
C661	Shotcrete Inspector Certification	Sun	9:30 am - 10:30 am	Bolden 3
C670	Masonry Technician Certification	Mon	3:00 pm - 4:00 pm	Bolden 1
C680	Adhesive Anchor Installer Certification (Joint ACI-CRSI)	Sun	10:00 am - 12:00 pm	Imperial 12
C690	Concrete Quality Technical Manager Certification	Mon	10:30 am - 11:30 am	Bolden 2
CAC	Chapter Activities Committee	Mon	2:00 pm - 4:00 pm	Bolden 4
CIC00	ACI Foundation Concrete Innovation Council	Mon	9:00 am - 11:30 am	Celestin C
CLC	Construction Liaison Committee	Sun	8:00 am - 10:30 am	Bolden 6
CPC	Certification Programs Committee	Tue	2:00 pm - 5:00 pm	Imperial 5A
CSAO	Codes and Standards Advocacy and Outreach	Mon	3:30 pm - 5:30 pm	Strand 1
E701	Materials for Concrete Construction	Sun	9:00 am - 10:30 am	Strand 4
E702	Designing Concrete Structures	Mon	9:00 am - 11:00 am	Empire A
E703	Concrete Construction Practices	Mon	4:00 pm - 6:00 pm	Imperial 12
E706	Concrete Repair Education	Sun	8:00 am - 9:00 am	Strand 4
E707	Specification Education	Tue	11:30 am - 1:00 pm	Strand 10B
E710	ACI University Programs	Sun	11:30 am - 12:30 pm	Strand 7
E905	Training Programs	Sun	9:00 am - 10:00 am	Bolden 2
EAC	Educational Activities Committee	Tue	8:00 am - 10:30 am	Imperial 11
HTC	Hot Topics Committee	Sun	3:00 pm - 4:00 pm	Bolden 1
IAC	International Advisory Committee	Tue	10:30 am - 12:30 pm	Strand 11A
Intl-Cert	International Certification	Sun	2:00 pm - 5:00 pm	Imperial 9
IC-Conf	International Conferences/Conventions	Mon	9:00 am - 10:00 am	Strand 8
IPAC	International Project Awards Committee	Tue	12:30 pm - 1:30 pm	Bolden 3
MEMC	Membership Committee	Mon	9:30 am - 10:30 am	Imperial 12
S801	Student Competitions	Sun	7:30 am - 9:00 am	Imperial 12
S802	Teaching Methods and Educational Materials	Mon	8:30 am - 10:00 am	Bolden 1
S805	Student Leadership Council	Mon	3:00 pm - 4:30 pm	Celestin D
S806	Young Member Activities	Mon	1:30 pm - 3:00 pm	Celestin F
SYPAC	Student and Young Professional Activities Committee	Wed	8:00 am - 10:00 am	Strand 10B
TAC	Technical Activities Committee	Sat	1:00 pm - 5:00 pm	Bolden 2
TCSC	TAC Construction Standards Committee	Wed	8:00 am - 10:00 am	Bolden 1
TRRC	TAC Repair and Rehabilitation Committee	Tue	7:00 am - 8:30 am	Imperial 5D
ITG-11	ITG-11 Statistical Techniques for Assessment of Existing Concrete Structures	Mon	12:30 pm - 1:30 pm	Bolden 3
ITG-12	ITG-12 Code Requirements Construction of Additively Constructed Walls	Sun	4:00 pm - 5:00 pm	Bolden 3
117	Tolerances (Joint ACI-ASCC)	Tue	8:00 am - 12:00 pm	Celestin F

Numerical Committee Meeting Listing

For detailed program information and program changes, download the Convention App.

Code	Committee	Day	Time	Room Name
117-A	Editorial and General Requirements	Mon	2:00 pm - 6:00 pm	Imperial 5C
117-I	Exterior Pavements and Sidewalks	Mon	1:00 pm - 4:00 pm	Bolden 6
117-L	Laser Scanning	Tue	1:30 pm - 3:00 pm	Strand 3
117-N	Tolerance Data	Mon	1:00 pm - 2:00 pm	Strand 7
120	History of Concrete	Tue	1:30 pm - 3:30 pm	Strand 12A
121	Quality Assurance Systems for Concrete	Mon	10:00 am - 12:00 pm	Imperial 2
122	Energy Efficiency of Concrete and Masonry Systems (Joint ACI-TMS)	Mon	1:00 pm - 3:00 pm	Strand 1
123	Research and Current Developments	Sun	4:00 pm - 5:30 pm	Bolden 2
124	Concrete Aesthetics	Mon	11:30 am - 12:30 pm	Strand 14
130	Sustainability of Concrete	Mon	2:00 pm - 5:00 pm	Empire C
130-A	Materials	Mon	8:30 am - 11:00 am	Bolden 3
130-G	Education	Sun	12:00 pm - 1:00 pm	Imperial 5B
130-H	Climate Change Impacts on the Sustainability of Concrete	Mon	8:00 am - 10:00 am	Strand 2
131	Building Information Modeling of Concrete Structures	Sat	3:00 pm - 5:00 pm	Strand 1
131	Building Information Modeling of Concrete Structures	Sun	10:00 am - 12:00 pm	Strand 5
131-A	BIM for Bridges	Sun	12:00 pm - 2:00 pm	Imperial 12
132	Responsibility in Concrete Construction	Sun	2:00 pm - 4:00 pm	Celestin C
133	Disaster Reconnaissance	Sun	3:00 pm - 5:00 pm	Imperial 5D
134	Concrete Constructability	Tue	3:00 pm - 6:00 pm	Celestin E
135	Machine Learning – Informed Construction and Design	Mon	10:00 am - 11:30 am	Celestin F
201	Durability of Concrete	Tue	8:00 am - 11:00 am	Empire C
201-H	Aggregate Reactions	Sun	12:00 pm - 2:00 pm	Imperial 9
201-J	Chemical Attack on Concrete	Sun	11:00 am - 1:00 pm	Imperial 3
201-K	Biogenic Attack	Sun	2:00 pm - 4:00 pm	Bolden 5
207	Mass Concrete	Mon	10:00 am - 1:00 pm	Celestin G&H
209	Creep and Shrinkage in Concrete	Mon	10:00 am - 12:00 pm	Strand 4
209-C	Models Applicability and Uncertainty	Sun	4:00 pm - 5:00 pm	Imperial 3
209-D	Numerical Methods and 3D Analyses	Sun	5:00 pm - 5:45 pm	Imperial 3
211	Proportioning Concrete Mixtures	Wed	8:00 am - 10:00 am	Strand 12A
211-A	Proportioning – Editorial	Tue	10:00 am - 12:00 pm	Imperial 5B
211-E	Proportioning – Evaluation	Tue	1:00 pm - 3:00 pm	Strand 5
211-F	Proportioning Submittals	Tue	1:30 pm - 3:00 pm	Strand 6
211-J	Appendix 3 – Laboratory Test	Tue	9:00 am - 10:00 am	Imperial 5A
211-M	Aggregate Packing Model	Tue	9:00 am - 10:00 am	Imperial 5B
211-P	Guide for Selecting Proportions for Pumpable Concrete	Mon	3:00 pm - 4:30 pm	Imperial 2
211-TG2	Developing & Using a Three Point Curve	Tue	11:30 am - 1:00 pm	Bolden 6
212	Chemical Admixtures	Mon	2:00 pm - 5:00 pm	Bolden 2
213	Lightweight Aggregate and Concrete	Tue	1:30 pm - 3:30 pm	Bolden 4
213-TG1	Lightweight – Editorial Task Group	Tue	11:00 am - 12:00 pm	Imperial 5C
214	Evaluation of Results of Tests Used to Determine the Strength of Concrete	Mon	3:30 pm - 5:00 pm	Strand 13A
214-A	Document Preparation	Mon	1:00 pm - 2:30 pm	Strand 5
215	Fatigue of Concrete	Sun	12:30 pm - 2:30 pm	Celestin A
216	Fire Resistance and Fire Protection of Structures (Joint ACI-TMS)	Mon	9:00 am - 12:00 pm	Celestin B
216-TG1	Rational Design	Sun	12:00 pm - 2:00 pm	Strand 10B
221	Aggregates	Tue	11:00 am - 1:30 pm	Strand 1

Numerical Committee Meeting Listing

For detailed program information and program changes, download the Convention App.

Code	Committee	Day	Time	Room Name
222	Corrosion of Metals in Concrete	Tue	2:00 pm - 5:00 pm	Empire D
222-A	Exposure Classes, Chloride Limits, and Design Criteria	Sun	10:30 am - 12:00 pm	Imperial 5A
223	Shrinkage-Compensating Concrete	Tue	2:00 pm - 5:00 pm	Strand 13A
224	Cracking	Sun	2:30 pm - 5:30 pm	Imperial 11
225	Hydraulic Cements	Mon	1:00 pm - 4:00 pm	Strand 14
228	Nondestructive Testing of Concrete	Sun	9:30 am - 12:30 pm	Celestin E
230	Soil Cement	Tue	8:30 am - 10:30 am	Strand 11A
231	Properties of Concrete at Early Ages	Mon	3:30 pm - 5:00 pm	Imperial 5A
232	Fly Ash and Bottom Ash in Concrete	Mon	1:00 pm - 4:00 pm	Celestin E
233	Ground Slag in Concrete	Tue	2:00 pm - 5:00 pm	Strand 7
234	Silica Fume in Concrete	Tue	2:00 pm - 4:30 pm	Imperial 11
236	Material Science of Concrete	Mon	4:30 pm - 6:00 pm	Celestin E
237	Self-Consolidating Concrete	Mon	8:15 am - 11:30 am	Bolden 5
238	Workability of Fresh Concrete	Tue	8:00 am - 10:00 am	Bolden 3
238-A	Student Workability	Tue	10:00 am - 11:30 am	Bolden 3
239	Ultra-High-Performance Concrete	Mon	3:30 pm - 6:00 pm	Empire D
239-C	Structural Design on UHPC	Mon	10:30 am - 12:30 pm	Strand 11A
239-D	Materials & Methods of Construction with UHPC	Mon	1:00 pm - 3:00 pm	Celestin C
239-E	Educational Outreach	Sun	2:00 pm - 4:00 pm	Imperial 3
239-F	UHPC Sustainability	Tue	8:30 am - 10:00 am	Imperial 5D
239-SC	Steering Committee	Sun	4:00 pm - 5:00 pm	Imperial 4
240	Natural Pozzolans	Mon	10:00 am - 1:00 pm	Empire C
240-TG2	Document Revision Task Group	Sun	3:00 pm - 5:00 pm	Imperial 5A
241	Nanotechnology of Concrete	Sun	4:00 pm - 5:45 pm	Empire D
241-A	The Application and Implementation of Nano-Engineered Concrete	Tue	1:00 pm - 3:00 pm	Strand 10B
241-SC	SC Steering Committee	Sun	11:00 am - 12:00 pm	Imperial 2
241-TG1	Dispersion of Nanoparticles in Concrete Materials TG	Sun	1:00 pm - 3:00 pm	Bolden 1
241-TG2	Nanoscale Fiber-Reinforced Concrete Task Group	Sun	3:00 pm - 4:00 pm	Empire D
242	Alternative Cements	Tue	11:00 am - 2:00 pm	Empire D
301	Specifications for Concrete Construction	Sat	1:00 pm - 5:00 pm	Empire C
301	Specifications for Concrete Construction	Sun	1:00 pm - 4:30 pm	Celestin B
301	Specifications for Concrete Construction	Mon	1:00 pm - 5:00 pm	Celestin G&H
301-A	General Requirements – Section 1	Sun	8:00 am - 9:30 am	Imperial 5B
301-B	Formwork and Formwork Accessories – Section 2	Sat	6:30 pm - 8:30 pm	Strand 3
301-C	Reinforcement and Reinforcement Supports – Section 3	Sat	4:00 pm - 6:00 pm	Strand 3
301-D	Concrete Mixtures – Section 4	Sun	8:00 am - 9:30 am	Strand 5
301-E	Handling, Placing, and Constructing – Section 5	Sat	8:00 am - 10:00 am	Imperial 5C
301-E	Handling, Placing, and Constructing – Section 5	Tue	4:00 pm - 6:00 pm	Strand 3
301-F	Architectural Concrete – Section 6	Sun	10:00 am - 12:00 pm	Bolden 2
301-G	Lightweight Concrete – Section 7	Mon	9:00 am - 10:00 am	Imperial 5B
301-H	Mass Concrete – Section 8	Sun	9:30 am - 11:00 am	Imperial 2
301-I	Post-Tensioned Concrete – Section 9	Sun	8:00 am - 10:00 am	Imperial 11
301-J	Shrinkage Compensating Concrete – Section 10	Sun	8:30 am - 10:00 am	Strand 7
301-K	Industrial Floor Slabs – Section 11	Sun	10:00 am - 11:30 am	Strand 7
301-L	Tilt-Up Construction – Section 12	Sun	7:30 am - 9:00 am	Strand 2
301-M	Precast Structural Concrete – Section 13	Sun	10:00 am - 11:00 am	Strand 14

Numerical Committee Meeting Listing

For detailed program information and program changes, download the Convention App.

Code	Committee	Day	Time	Room Name
301-N	Precast Architectural Concrete – Section 14	Sun	11:00 am - 12:00 pm	Strand 14
301-S	Sustainability	Sun	10:00 am - 11:30 am	Celestin C
301-SC	Steering Committee	Sat	11:30 am - 12:30 pm	Strand 2
302	Construction of Concrete Floors	Mon	8:00 am - 1:00 pm	Celestin E
303	Architectural Cast-in-Place Concrete	Mon	8:30 am - 10:30 am	Imperial 5A
304	Measuring, Mixing, Transporting, and Placing Concrete	Mon	11:30 am - 1:00 pm	Empire D
304-F	Measuring/Mixing-Volumetric	Mon	10:30 am - 11:30 am	Strand 14
304-G	In-Transit Ready-Mix Concrete Monitoring	Mon	3:30 pm - 5:30 pm	Strand 5
305	Hot Weather Concreting	Sun	3:00 pm - 5:00 pm	Celestin A
306	Cold Weather Concreting	Tue	8:30 am - 11:30 am	Strand 10B
307	Concrete Chimneys	Mon	3:00 pm - 6:00 pm	Imperial 4
308	Curing Concrete	Wed	10:00 am - 1:00 pm	Strand 11A
308-A	Curing – Guide	Wed	8:00 am - 10:00 am	Strand 11A
308-B	Curing – Specifications	Wed	2:00 pm - 4:00 pm	Strand 11A
308-C	Guide on Internal Curing of Concrete	Tue	4:00 pm - 5:30 pm	Strand 2
308-TG1	Tech Notes Task Group	Mon	1:00 pm - 5:00 pm	Imperial 5B
309	Consolidation of Concrete	Sun	3:00 pm - 5:00 pm	Bolden 4
310	Decorative Concrete (Joint ACI-ASCC)	Tue	3:00 pm - 5:00 pm	Strand 10B
310-J	Polished Finishes	Tue	10:00 am - 1:00 pm	Celestin E
310/308-TG2	310-308 Curing Decorative Concrete Joint Task Group	Tue	1:30 pm - 2:30 pm	Strand 11A
311	Inspection of Concrete	Tue	2:30 pm - 4:30 pm	Strand 1
313	Concrete Bins and Silos	Mon	8:30 am - 5:00 pm	Imperial 11
314	Simplified Design of Concrete Buildings	Sun	8:30 am - 11:00 am	Bolden 1
315	Details of Concrete Reinforcement (Joint ACI-CRSI)	Sun	3:00 pm - 5:45 pm	Imperial 5B
318	Structural Concrete Building Code	Wed	8:00 am - 6:00 pm	Empire D
318-A	318 Subcommittee – General, Concrete, and Construction	Tue	1:30 pm - 6:00 pm	Strand 4
318-B	318 Subcommittee – Anchorage and Reinforcement	Mon	2:30 pm - 4:30 pm	Celestin A
318-B	318 Subcommittee – Anchorage and Reinforcement	Tue	8:00 am - 12:30 pm	Celestin A
318-C	318 Subcommittee – Safety, Serviceability, and Analysis	Tue	8:00 am - 12:30 pm	Strand 4
318-D	318 Subcommittee – Members	Tue	1:30 pm - 6:00 pm	Bolden 1
318-E	318 Subcommittee – Section and Member Strength	Tue	8:00 am - 12:30 pm	Strand 13A
318-F	318 Subcommittee – Foundations	Tue	8:00 am - 12:30 pm	Bolden 5
318-H	318 Subcommittee – Seismic Provisions	Tue	1:30 pm - 6:00 pm	Celestin F
318-J	318 Subcommittee – Joints and Connections	Tue	1:30 pm - 6:00 pm	Imperial 5B
318-L	318 Subcommittee – International Liaison	Sun	12:30 pm - 2:00 pm	Bolden 5
318-N	318 Subcommittee – Sustainability	Mon	11:00 am - 1:00 pm	Strand 12A
318-P	318 Subcommittee – Precast and Prestressed Concrete	Tue	1:30 pm - 6:00 pm	Bolden 3
318-1R	Resolution of Anchorage and Development Provisions	Sun	7:00 am - 10:00 am	Strand 1
318-S	318 Spanish Translation	Mon	11:00 am - 12:30 pm	Bolden 3
318-T	318 Subcommittee – Post-Tensioned Concrete	Tue	8:00 am - 12:30 pm	Strand 3
318-W	318 Subcommittee – Wind Provisions	Mon	1:30 pm - 5:30 pm	Strand 8
319	Precast Structural Concrete Code (Joint ACI-PCI)	Mon	2:00 pm - 5:00 pm	Strand 11A
320	Post-Tensioned Structural Concrete Code (Joint ACI-PTI)	Sun	2:00 pm - 5:45 pm	Imperial 12
321	Concrete Durability Code	Wed	10:30 am - 1:30 pm	Strand 10B
321-TG3	Durability Exposure Categories	Wed	8:00 am - 10:00 am	Strand 3
321-TG4	Construction/Quality	Tue	4:00 pm - 5:00 pm	Imperial 12

Numerical Committee Meeting Listing

For detailed program information and program changes, download the Convention App.

Code	Committee	Day	Time	Room Name
322	Concrete Pool and Watershape Code	Sun	11:00 am - 5:00 pm	Bolden 6
323	Low-Carbon Concrete Code	Tue	11:00 am - 1:00 pm	Empire C
325	Concrete Pavements	Tue	2:00 pm - 5:00 pm	Celestin C
325-A	Pavements – Design	Tue	9:00 am - 10:00 am	Strand 5
325-C	Pavements – Prestressed and Precast	Tue	1:00 pm - 2:00 pm	Bolden 6
325-F	Concrete Pavement Overlays	Tue	10:00 am - 11:00 am	Imperial 12
327	Roller-Compacted Concrete Pavements	Tue	11:00 am - 1:00 pm	Strand 12A
329	Performance Criteria for Ready Mixed Concrete	Wed	10:00 am - 11:30 am	Bolden 1
330	Concrete Parking Lots and Site Paving	Wed	8:00 am - 12:00 pm	Celestin G&H
332	Residential Concrete Work	Tue	1:30 pm - 5:00 pm	Celestin B
332-B	Residential Concrete Materials and Placement	Tue	11:00 am - 12:30 pm	Strand 6
332-D	Residential Concrete – Footings & Foundation Walls	Tue	12:00 pm - 1:30 pm	Strand 2
332-E	Residential Concrete – Above Grade Walls	Tue	10:00 am - 12:00 pm	Strand 2
332-F	Residential Concrete-Slabs	Tue	9:00 am - 10:30 am	Imperial 4
332-G	Guide To Residential Concrete Construction	Mon	10:00 am - 11:30 am	Strand 6
332-H	Structural Foundations	Mon	1:30 pm - 3:00 pm	Imperial 2
334	Concrete Shell Design and Construction (Joint ACI-ASCE)	Mon	5:00 pm - 7:00 pm	Imperial 5A
336	Footings, Mats, and Drilled Piers	Sun	1:00 pm - 4:00 pm	Strand 3
341	Performance-Based Seismic Design of Concrete Bridges	Tue	1:00 pm - 5:30 pm	Empire C
341-A	Earthquake Resistant Bridges – Columns	Tue	11:00 am - 12:00 pm	Bolden 4
341-C	Earthquake Resistant Bridges – Retrofit	Tue	10:00 am - 11:00 am	Bolden 4
341-E	Bridge Codes – Support	Tue	8:00 am - 10:00 am	Bolden 4
342	Evaluation of Concrete Bridges and Bridge Elements	Sun	8:30 am - 10:30 am	Imperial 5A
343	Concrete Bridge Design (Joint ACI-ASCE)	Mon	10:00 am - 12:00 pm	Strand 8
343-B	Bridge Deck Design	Mon	9:00 am - 10:00 am	Strand 11A
343-G	Editorial	Sun	4:00 pm - 5:00 pm	Strand 14
345	Bridge Construction and Preservation	Sun	1:30 pm - 3:30 pm	Strand 4
347	Formwork for Concrete	Sat	2:00 pm - 6:00 pm	Bolden 1
347	Formwork for Concrete	Sun	8:00 am - 12:00 pm	Celestin B
347-TG1	Void Form Methods Task Group	Sun	12:00 pm - 2:00 pm	Strand 6
348	Structural Reliability and Safety	Mon	1:30 pm - 3:00 pm	Imperial 9
349	Concrete Nuclear Structures	Tue	1:30 pm - 5:00 pm	Celestin D
349-A & 349-B	Nuclear Structures – Materials/Nuclear Structures-Design	Mon	1:00 pm - 4:30 pm	Bolden 5
349-C	Nuclear Structures – Anchorage	Mon	7:00 am - 10:00 am	Imperial 2
349/359/370	ACI 349 and ACI 359 and ACI 370 Joint Committee Task Group	Tue	11:00 am - 12:30 pm	Imperial 11
350/350C	Environmental Engineering Concrete Structures/ Environmental Engineering Concrete Structure Code	Wed	8:00 am - 5:00 pm	Celestin F
350-D	350 Subcommittee – Design Considerations	Sun	1:30 pm - 5:30 pm	Strand 2
350-G & 350-K	350 Subcommittee – Tightness Testing/Containment of Hazardous Materials	Mon	8:00 am - 10:00 am	Imperial 5D
350-J	350 Subcommittee – Education	Tue	4:00 pm - 5:30 pm	Strand 5
350-L	350 Subcommittee – Specification	Tue	4:00 pm - 6:00 pm	Strand 8
350-SC	350 Subcommittee – Steering	Sun	8:30 am - 10:00 am	Imperial 4
350C-A	Safety, Strength & Serviceability	Mon	1:00 pm - 5:00 pm	Strand 12A
350C-B	Members, Joints & Anchors	Sun	10:00 am - 1:00 pm	Strand 2
350C-C	Materials and Durability	Mon	8:30 am - 12:00 pm	Strand 1
350C-D & 350-H	Code Editorial/Editorial	Tue	12:30 pm - 2:00 pm	Bolden 5

Numerical Committee Meeting Listing

For detailed program information and program changes, download the Convention App.

Code	Committee	Day	Time	Room Name
350C-E	Precast-Prestress	Tue	1:00 pm - 3:00 pm	Strand 8
350C-F	Seismic	Tue	8:30 am - 12:00 pm	Strand 8
351	Foundations for Equipment and Machinery	Tue	11:30 am - 1:00 pm	Imperial 9
351-A	Foundations for Static Equipment	Tue	10:00 am - 11:30 am	Imperial 9
351-B	Grouting between Foundations & Equipment Bases	Tue	8:00 am - 10:00 am	Strand 6
351-C	Equipment Foundations – Dynamic Foundations	Mon	4:30 pm - 6:30 pm	Bolden 3
352	Joints and Connections in Monolithic Concrete Structures (Joint ACI-ASCE)	Sun	2:00 pm - 5:00 pm	Strand 5
355	Anchorage to Concrete	Sun	1:00 pm - 5:00 pm	Celestin F
357	Offshore and Marine Concrete Structures	Tue	8:00 am - 11:00 am	Strand 1
357-TG2	ACI 357.2R-10 Revision	Mon	1:00 pm - 2:00 pm	Strand 6
360	Design of Slabs-on-Ground	Mon	2:00 pm - 6:00 pm	Empire A
362	Parking Structures	Mon	12:30 pm - 4:30 pm	Strand 10B
362-A	Updating Guide for Structural Maintenance of Parking Structures	Sun	1:00 pm - 4:00 pm	Bolden 2
363	High-Strength Concrete	Sun	2:30 pm - 5:00 pm	Strand 12A
364	Rehabilitation	Mon	3:00 pm - 6:00 pm	Celestin C
364-A & 364-C	Editorial Subcommittee/TechNote Subcommittee	Mon	1:00 pm - 2:30 pm	Imperial 5D
364-TG2	Guide to Rehabilitation of Historic Concrete TG	Mon	11:00 am - 12:00 pm	Imperial 5D
365	Service Life Prediction	Mon	9:00 am - 12:00 pm	Celestin A
369	Seismic Repair and Rehabilitation / Seismic Evaluation and Retrofit Code	Sun	3:00 pm - 5:30 pm	Empire C
369	Seismic Repair and Rehabilitation	Mon	2:00 pm - 6:00 pm	Celestin B
369-A	General Provisions, Frames, and Diaphragms	Sun	8:00 am - 10:00 am	Empire C
369-D	Walls and Foundations	Sun	1:00 pm - 3:00 pm	Empire C
369-F	Retrofit	Sun	10:00 am - 12:00 pm	Empire C
370	Blast and Impact Load Effects	Sun	3:00 pm - 5:00 pm	Strand 11A
371	Elevated Tanks with Concrete Pedestals	Mon	11:00 am - 12:00 pm	Imperial 9
372	Tanks Wrapped with Wire or Strand	Tue	2:00 pm - 4:00 pm	Strand 2
374	Performance-Based Seismic Design of Concrete Buildings	Mon	8:30 am - 12:00 pm	Bolden 6
374-A	Functional Recovery	Sun	11:00 am - 1:00 pm	Strand 11A
375	Performance-Based Design of Concrete Buildings for Wind Loads	Mon	10:30 am - 12:30 pm	Strand 5
376	Concrete Structures for Refrigerated Liquefied Gas Containment	Sun	1:00 pm - 4:00 pm	Imperial 4
376-01	Steering Subcommittee	Sun	8:00 am - 9:00 am	Strand 3
376-A	Code, Education & Publication Subcommittee	Sun	9:30 am - 12:00 pm	Imperial 5B
376S	Structural Concrete Code for Refrigerated Liquefied Gases	Sun	2:00 pm - 5:00 pm	Strand 6
378	Concrete Wind Turbine Towers	Mon	8:30 am - 10:00 am	Imperial 3
380	Structural Plain Concrete	Sun	1:00 pm - 3:00 pm	Celestin E
408	Bond and Development of Steel Reinforcement (Joint ACI-ASCE)	Sun	8:30 am - 11:30 am	Celestin A
408-A	Mechanical Reinforcing Bar Anchorages and Splices	Sun	1:30 pm - 3:30 pm	Strand 1
423	Prestressed Concrete (Joint ACI-ASCE)	Mon	8:30 am - 12:30 pm	Strand 10B
423-E	Prestress Losses	Sun	10:00 am - 12:00 pm	Strand 12A
423-G	Specification for Unbonded Single-Strand Tendon Materials	Mon	2:00 pm - 6:00 pm	Strand 4
435	Deflection of Concrete Building Structures	Mon	3:00 pm - 6:00 pm	Imperial 9
437	Strength Evaluation of Existing Concrete Structures	Mon	10:30 am - 12:00 pm	Imperial 12

Numerical Committee Meeting Listing

For detailed program information and program changes, download the Convention App.

Code	Committee	Day	Time	Room Name
437-A	Test Database	Mon	8:30 am - 10:00 am	Imperial 5C
437S	Load Testing of Concrete Structures Code	Mon	12:00 pm - 1:30 pm	Imperial 12
439	Steel Reinforcement	Mon	8:30 am - 10:30 am	Strand 12A
439-A	Steel Reinforcement – Wire	Sun	3:30 pm - 5:00 pm	Strand 4
440	Fiber-Reinforced Polymer Reinforcement	Tue	9:00 am - 12:00 pm	Celestin D
440-F	FRP-Repair-Strengthening	Mon	10:30 am - 12:30 pm	Celestin D
440-H	FRP-Reinforced Concrete	Mon	8:30 am - 10:30 am	Celestin D
440-I	FRP-Prestressed Concrete	Sun	3:30 pm - 5:30 pm	Celestin E
440-J	FRP Stay-in-Place Forms	Mon	3:00 pm - 5:00 pm	Celestin F
440-K	FRP-Material Characteristics	Mon	1:00 pm - 3:00 pm	Celestin D
440C	FRP Reinforced Concrete Building Code	Sun	3:00 pm - 5:00 pm	Strand 7
440S	Fiber-Reinforced Polymer Repair and Rehabilitation of Concrete Code	Tue	1:00 pm - 4:00 pm	Imperial 9
441	Reinforced Concrete Columns (Joint ACI-ASCE)	Mon	2:30 pm - 5:00 pm	Imperial 5D
444	Structural Health Monitoring	Tue	8:00 am - 11:00 am	Strand 12A
445	Shear and Torsion (Joint ACI-ASCE)	Mon	2:00 pm - 6:00 pm	Strand 2
445-A	Shear & Torsion – Strut & Tie	Sun	10:00 am - 12:00 pm	Imperial 9
445-B	Shear & Torsion – Seismic Shear	Sun	11:00 am - 12:30 pm	Imperial 5C
445-D	Shear & Torsion – Shear Databases	Sun	2:00 pm - 5:00 pm	Imperial 5C
445-F	Interface Shear	Mon	8:00 am - 10:00 am	Bolden 4
445-TG1	Shear & Torsion – 445.3R-23 Task Group	Mon	8:00 am - 11:00 am	Imperial 9
446	Fracture Mechanics of Concrete (Joint ACI-ASCE)	Mon	8:30 am - 9:30 am	Imperial 12
447	Finite Element Analysis of Reinforced Concrete Structures (Joint ACI-ASCE)	Mon	11:30 am - 1:30 pm	Celestin F
506	Shotcreting	Tue	8:30 am - 11:30 am	Bolden 6
506-A	Shotcreting – Evaluation	Mon	10:30 am - 11:30 am	Strand 13A
506-B	Shotcreting – Fiber-Reinforced	Mon	11:30 am - 12:30 pm	Strand 13A
506-C	Shotcreting – Guide	Mon	8:30 am - 9:30 am	Strand 13A
506-E	Shotcreting – Specifications	Mon	9:30 am - 10:30 am	Strand 13A
506-F	Shotcreting – Underground	Mon	2:30 pm - 3:30 pm	Strand 13A
506-H	Shotcreting – Pools	Sun	10:30 am - 11:30 am	Bolden 3
515	Protective Systems for Concrete	Tue	9:00 am - 11:00 am	Bolden 2
522	Pervious Concrete	Tue	8:00 am - 11:00 am	Celestin C
523	Cellular Concrete	Tue	9:00 am - 11:00 am	Bolden 1
524	Plastering	Mon	8:30 am - 10:00 am	Strand 14
533	Precast Panels	Mon	10:00 am - 11:30 am	Strand 2
543	Concrete Piles	Mon	8:30 am - 11:30 am	Strand 3
544	Fiber-Reinforced Concrete	Tue	3:30 pm - 5:30 pm	Celestin G&H
544-A	FRC-Production & Applications	Mon	12:30 pm - 2:00 pm	Strand 11A
544-B	FRC Education	Sun	4:00 pm - 5:30 pm	Bolden 5
544-C	FRC-Testing	Tue	2:00 pm - 3:30 pm	Bolden 5
544-D	FRC-Structural Uses	Tue	12:00 pm - 1:30 pm	Celestin B
544-E	FRC-Emerging Technologies	Mon	4:00 pm - 5:30 pm	Bolden 6
544-F	FRC-Durability	Tue	10:30 am - 12:00 pm	Imperial 5D
544-SC	FRC-Steering Committee	Mon	8:00 am - 9:00 am	Strand 6
546	Repair	Mon	9:00 am - 11:30 am	Empire D
546-D	Packaged Repair Materials	Sun	11:00 am - 12:00 pm	Bolden 1

Numerical Committee Meeting Listing

For detailed program information and program changes, download the Convention App.

Code	Committee	Day	Time	Room Name
548	Polymers and Adhesives for Concrete	Tue	8:30 am - 11:30 am	Imperial 3
548-A	Polymers – Overlays	Mon	10:00 am - 12:00 pm	Imperial 3
548-B	Polymers – Adhesives	Mon	3:00 pm - 5:00 pm	Imperial 3
549	Thin Reinforced Cementitious Products and Ferrocement	Sun	11:00 am - 1:00 pm	Imperial 5D
549-K	FRCM/SRG Materials Characteristics	Sun	9:00 am - 11:00 am	Imperial 5D
550	Precast Concrete Structures (Joint ACI-ASCE)	Sun	3:00 pm - 5:00 pm	Strand 10B
551	Tilt-Up Concrete Construction	Sun	9:00 am - 12:00 pm	Celestin D
552	Cementitious Grouting	Tue	4:00 pm - 5:30 pm	Strand 12A
555	Concrete with Recycled Materials	Mon	5:00 pm - 6:30 pm	Celestin F
555-C	Development of New Technical Report on Unbound RCA Applications	Mon	3:30 pm - 4:30 pm	Strand 6
560	Design and Construction with Insulating Concrete Forms	Tue	8:30 am - 10:30 am	Empire D
562	Evaluation, Repair and Rehabilitation of Concrete Structures	Sun	1:00 pm - 4:30 pm	Celestin D
562-A	Administration	Sun	10:00 am - 12:00 pm	Strand 1
562-B	Loads	Sat	1:00 pm - 3:00 pm	Strand 2
562-C	Reliability-Based Evaluation	Sat	3:00 pm - 5:00 pm	Strand 2
562-F	Fire	Sat	2:00 pm - 4:00 pm	Strand 3
562-G	Repair Design	Sun	8:00 am - 10:00 am	Imperial 9
562-I	Durability	Sun	10:00 am - 11:00 am	Imperial 5C
562-J	Material	Sun	11:00 am - 1:00 pm	Strand 3
562-L	Quality Requirements	Sun	8:00 am - 9:30 am	Imperial 2
562-SC	Steering Committee	Sun	4:30 pm - 5:30 pm	Celestin D
563	Specifications for Repair of Structural Concrete in Buildings	Tue	1:00 pm - 5:00 pm	Imperial 5D
563-H	Architectural/Precast Concrete	Tue	11:00 am - 12:00 pm	Bolden 2
563-L	Prestressed Concrete	Sun	5:00 pm - 5:45 pm	Imperial 9
563-M	Polymer Concrete/Overlays	Sun	3:00 pm - 5:00 pm	Imperial 2
563-N	Protection Systems	Sun	4:00 pm - 5:45 pm	Strand 1
564	3-D Printing with Cementitious Materials	Mon	1:00 pm - 3:00 pm	Empire D
564-A	Emerging Technology Report	Tue	10:00 am - 12:00 pm	Strand 7
564-B	Structural Design and Testing	Mon	8:00 am - 9:30 am	Bolden 2
564-D	Modeling and Performance Prediction	Sun	4:00 pm - 5:00 pm	Strand 3
565	Lunar Concrete	Tue	2:00 pm - 3:00 pm	Celestin A

BRAND-BUILDING Promotional Opportunities through ACI

Increase your company's visibility by reaching thousands of qualified decision-makers. ACI offers print, electronic, and other opportunities to help your business build its brand awareness and better market its products and services.



American Concrete Institute

ACI SUSTAINING MEMBERSHIP

Show true dedication to advancing concrete knowledge through ACI's highest level of membership: Sustaining Membership. Enhance your company's exposure to ACI members and customers while improving access to current concrete construction technology and information.

THE ACI CONCRETE CONVENTION

Sponsor or exhibit at ACI's twice-annual conventions and reach approximately 2000 industry experts. Your business will be in front of industry professionals from across the country and around the world. Establish and build communication with your target market, as well as showcase products and services to industry professionals.

CONCRETE INTERNATIONAL MAGAZINE (CI)

CI is where ACI members go every month for the most trusted concrete news and technical information. Customers are key decision-makers deeply involved in concrete construction, engineering, testing, and design. Ads appear in both printed and digital versions of the magazine. Digital alert and landing page options are also available.

SPONSOR ACI ONLINE EDUCATION PRESENTATIONS

ACI's free online education presentations web page features over 500 presentations delivered by industry experts at ACI events, with new presentations added weekly. Align your brand with these industry-leading presentations by becoming a sponsor (limited to no more than six sponsors), and gain exposure for a full 12 months.

For more information on how to increase your company's visibility, contact Kim Spillane at Kim.Spillane@concrete.org, or call +1.248.848.3197.

www.concrete.org



THE WORLD'S GATHERING PLACE FOR ADVANCING CONCRETE

SAVE THE DATE

NOVEMBER 3-6, 2024

Philadelphia Marriott Downtown,
Philadelphia, PA, USA

For more information, please visit [aciconvention.org](https://www.aciconvention.org).